

EMERY COUNTY LAND SURVEY MONUMENT RECORD

Date of field work: 1-14-98 County Reference No. 0720140300

Type of Monument: _____ Section Corner X Quarter Corner
 _____ Bench Mark _____ Other _____

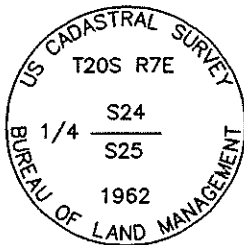
Your Description and Observation of Monument Found (Be Specific):

Found STD. BLM Cap 35ft ± north of a east-west fence

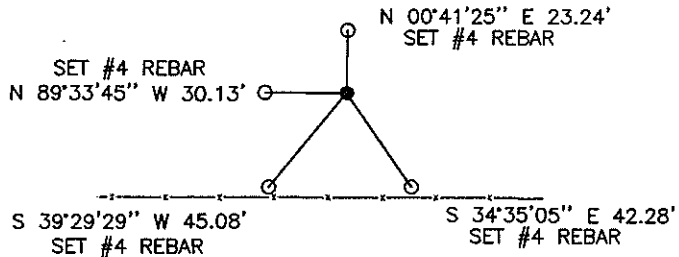
Description of Monument, Reference Monument or Accessories Established by You to Perpetuate the Location of this Point:

Set #4 rebar north, west, southwest, and southeast of monument

Sketch showing Relative Location of Monument Accessories and Two Reference Points Stating Whether Found or Set. Show Supporting and/or Contradictory Evidence where Applicable. Include North Arrow.



0720140300
 NORTH QTR. S25
 T20S R7E SLM
 STD. BLM CAP

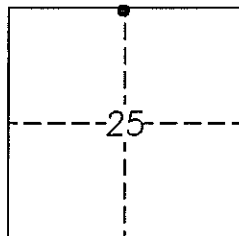


Certification:

Firm name and/or Surveyor: Johansen & Tuttle Eng. Craig E. Johansen
 Address: 90 South 100 East, Castle Dale, Utah 84513 Phone: (801) 381-2523

This is to certify that I was in responsible charge of the surveying work described in this record and that to the best of my knowledge the information presented herein is true and correct.

Location Diagram:
 Section: 25
 Township: 20 S.
 Range: 7 E.



Craig E. Johansen
 Craig E. Johansen
 No. 146602
 CRAIG E. JOHANSEN
 STATE OF UTAH
20 Nov. 98
 Date

EMERY COUNTY LAND SURVEY MONUMENT RECORD

Date of field work: 1-14-98 County Reference No. 0720200300

Type of Monument: X Section Corner Quarter Corner
 Bench Mark Other

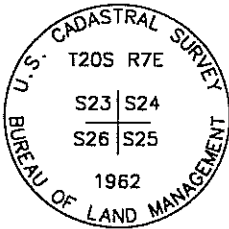
Your Description and Observation of Monument Found (Be Specific):

Found Standard BLM Cap at an north-south-east fence corner

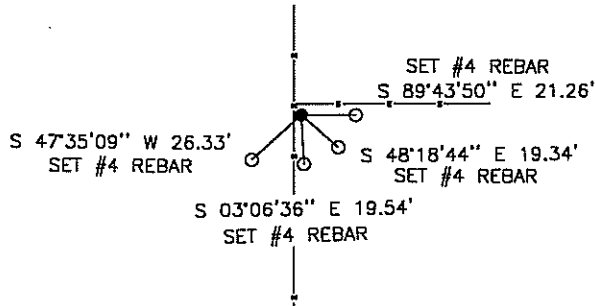
Description of Monument, Reference Monument or Accessories Established by You to Perpetuate the Location of this Point:

Set a #4 rebar southwest, south, southeast, and east of Monument

Sketch showing Relative Location of Monument Accessories and Two Reference Points Stating Whether Found or Set. Show Supporting and/or Contradictory Evidence where Applicable. Include North Arrow.



0720200300
 NW COR S 25
 T20S R7E SLM
 STD. BLM CAP



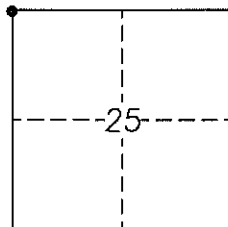
Certification:

Firm name and/or Surveyor: Johansen & Tuttle Eng. Craig E. Johansen

Address: 90 South 100 East, Castle Dale, Utah 84513 Phone: (801) 381-2523

This is to certify that I was in responsible charge of the surveying work described in this record and that to the best of my knowledge the information presented herein is true and correct.

Location Diagram:
 Section: 25
 Township: 20 S.
 Range: 7 E.



Craig E. Johansen
 Craig E. Johansen
 No. 146602
CRAIG E. JOHANSEN
 LAND SURVEYOR
 STATE OF UTAH
20 Nov 98
 Date