

EMERY COUNTY LAND SURVEY MONUMENT RECORD

Date of field work: 4-4-97 County Reference No. 0819640700
 Type of Monument: _____ Section Corner X Quarter Corner _____
 _____ Bench Mark _____ Other _____

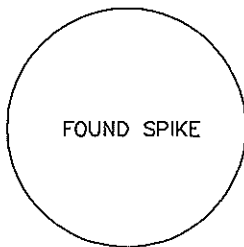
Your Description and Observation of Monument Found (Be Specific):

Found 8" x 3/8" spike in county road using two ECS RM Caps

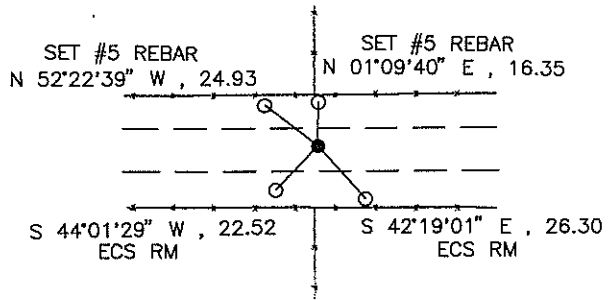
Description of Monument, Reference Monument or Accessories Established by You to Perpetuate the Location of this Point:

Set a #5 rebar North, and Northwest of Monument

Sketch showing Relative Location of Monument Accessories and Two Reference Points Stating Whether Found or Set. Show Supporting and/or Contradictory Evidence where Applicable. Include North Arrow.



0819640700
 NORTH QTR S 6
 T19S R8E SLM
 FOUND SPIKE

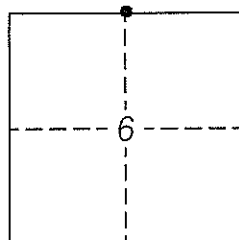


Certification:

Firm name and/or Surveyor: Johansen & Tuttle Eng. Craig E. Johansen
 Address: 90 South 100 East, Castle Dale, Utah 84513 Phone: (435) 381-2523

This is to certify that I was in responsible charge of the surveying work described in this record and that to the best of my knowledge the information presented herein is true and correct.

Location Diagram:
 Section: 6
 Township: 19 S.
 Range: 8 E.



Craig E. Johansen
 Craig E. Johansen

12/9/97
 Date

EMERY COUNTY LAND SURVEY MONUMENT RECORD

Date of field work: 3-31-97 County Reference No. 0819700700
 Type of Monument: X Section Corner _____ Quarter Corner _____
 _____ Bench Mark _____ Other _____

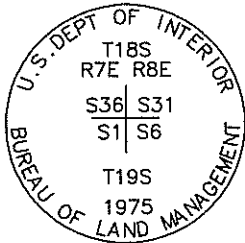
Your Description and Observation of Monument Found (Be Specific):

Found Standard BLM Cap in a east, west, and north fence corner along north right of way fence of county road

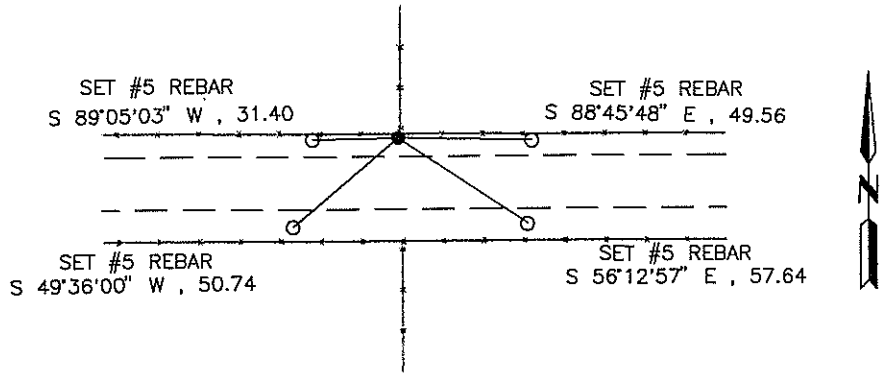
Description of Monument, Reference Monument or Accessories Established by You to Perpetuate the Location of this Point:

Set a #5 rebar southwest, southeast, east, and west of Monument

Sketch showing Relative Location of Monument Accessories and Two Reference Points Stating Whether Found or Set. Show Supporting and/or Contradictory Evidence where Applicable. Include North Arrow.



0819700700
 NW COR S 6
 T19S R8E SLM
 STD. BLM CAP



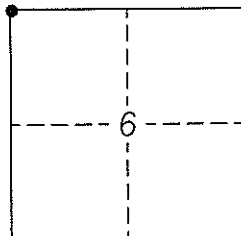
Certification:

Firm name and/or Surveyor: Johansen & Tuttle Eng. Craig E. Johansen
 Address: 90 South 100 East, Castle Dale, Utah 84513 Phone: (435) 381-2523

This is to certify that I was in responsible charge of the surveying work described in this record and that to the best of my knowledge the information presented herein is true and correct.

Location Diagram:

Section: 6
 Township: 19 S.
 Range: 8 E.



Craig E. Johansen
 Craig E. Johansen

12/9/97
 Date

EMERY COUNTY LAND SURVEY MONUMENT RECORD

Date of field work: 3-31-97 County Reference No. 0819700640
 Type of Monument: _____ Section Corner X Quarter Corner
 _____ Bench Mark _____ Other _____

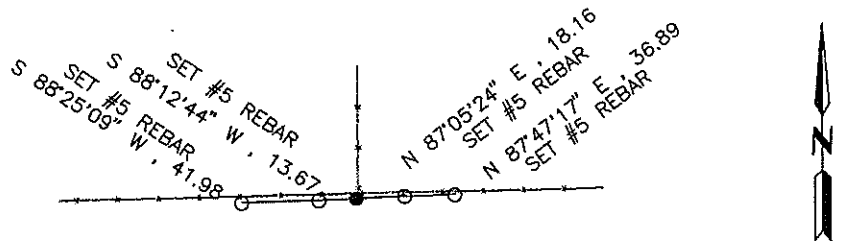
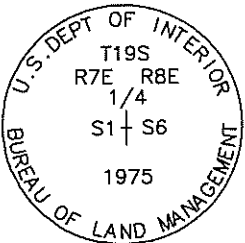
Your Description and Observation of Monument Found (Be Specific):

Found Standard BLM Cap east, west, and north fence corner

Description of Monument, Reference Monument or Accessories Established by You to Perpetuate the Location of this Point:

Set two #5 rebars west, and east of Monument

Sketch showing Relative Location of Monument Accessories and Two Reference Points Stating Whether Found or Set. Show Supporting and/or Contradictory Evidence where Applicable. Include North Arrow.



0819700640
 WEST QTR S 6
 T19S R8E SLM
 STD. BLM CAP

Certification:

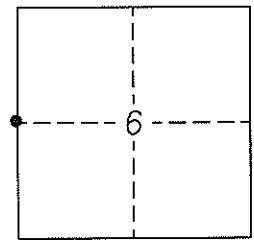
Firm name and/or Surveyor: Johansen & Tuttle Eng. Craig E. Johansen
 Address: 90 South 100 East, Castle Dale, Utah 84513 Phone: (435) 381-2523

This is to certify that I was in responsible charge of the surveying work described in this record and that to the best of my knowledge the information presented herein is true and correct.

Craig E. Johansen

 Craig E. Johansen

Location Diagram:
 Section: 6
 Township: 19 S.
 Range: 8 E.



12/9/97

 Date